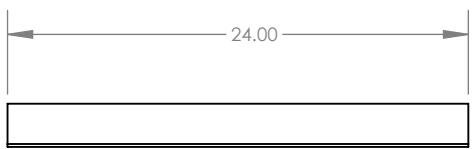
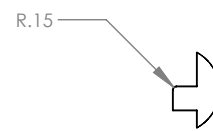


2

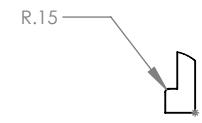
1



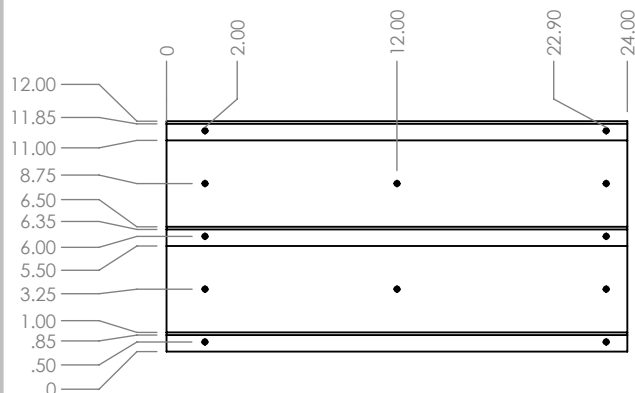
Top View



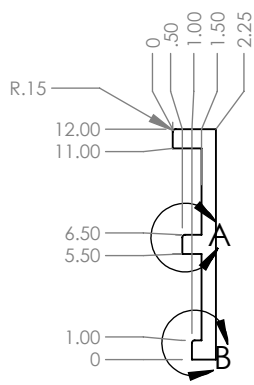
DETAIL A
SCALE 1 : 8



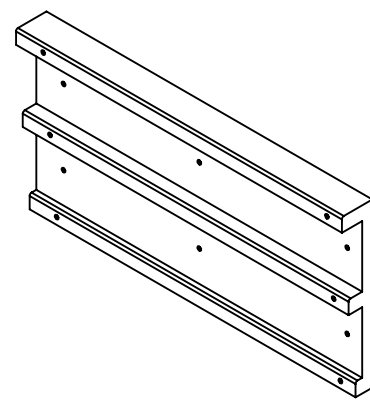
DETAIL B
SCALE 1 : 8



Front View



Side View



B

B

A

A

UNLESS OTHERWISE SPECIFIED:		NAME	DATE	<p style="text-align: center;">Will McIntyre</p> <p style="text-align: center;">TITLE: Hangboard Design</p>			
DIMENSIONS ARE IN INCHES TOLERANCES: +/-0.01in		DRAWN	Will M			04/30/23	
		CHECKED					
		ENG APPR.					
		MFG APPR.					
INTERPRET GEOMETRIC TOLERANCING PER:		Q.A.			SIZE	DWG. NO.	REV
MATERIAL		COMMENTS:		<p style="text-align: center;">A hangboard 01</p>			
Pine Wood							
FINISH				SCALE: 1:10		WEIGHT:	SHEET 1 OF 1
DO NOT SCALE DRAWING							

2

1